

SPECIFICATIONS

LJUNGBY L30

TIER 5 ENGINE



Foto: Lars Melin 2019 03
790036-114 Rev. 1



SUPERIOR PERFORMANCE

- LOW TOTAL COSTS ■ SOLUTIONS ACCORDING TO YOUR NEEDS
- UNIQUE LOAD UNIT ■ POWERFUL ENVIRONMENTAL ENGINES
- RELIABLE AND SERVICE FRIENDLY ■ LOWEST NOISE LEVEL ON THE MARKET





SPECIFICATIONS

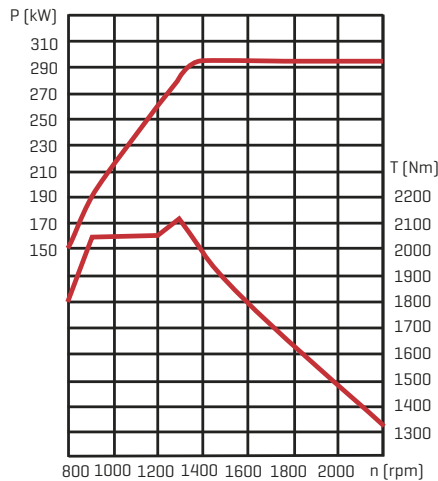
LJUNGBY L30

S = standard

O = optional

DRIVE LINE

Engine	Scania DC13 312A
Max power [kW/hp]	294/400
Max torque [Nm]	2110
Transmission	ZF Ergopower 5WG310
Front axle	ZF MTL 3125
Rear axle	ZF MTL 3115
Automatic limited slip rear	S
Automatic/manuall imited slip front	S
Dual-circuit hydraulic foot brake	S
Hydraulic operated parking brake	S
Reversible fan	S
	O



P = power T=torque
n = number of revolutions

POWER AND WEIGHT

Breakout force [kN]	250
Tipping load [kg]	0° 24000
	40° 21000
	45° 20000
Operating weight [tons]	30,0-32,0
Standard bucket [m3]	5,5
Light material bucket [m3]	16,0
Timber grapple [m2]	4,0

WHEELS

Radial tyres	S
Dimensions	29,5R25

HYDRAULIC SYSTEM

Hydraulic pump	Parker
Flow [l/min at 2100 rpm]	704
Pressure [bar]	260
Lift cylinder [mm]	80/160
Lift cylinder stroke [mm]	1135
Tilt cylinder [mm]	80/170
Tilt cylinder stroke [mm]	895
Hydraulic cooling	S

STEERING SYSTEM

Steering angle [degrees]	45
Steering cylinder [mm]	50/100
Steering cylinder stroke [mm]	557
Oscillating rear axle [degrees]	+/-9

DIMENSIONS

A	9310
B	4000
C	1965
D	482
E	4579
F	2850
G	1266
H	3938
I	3172
J	3400
R1	7136
R2	7686

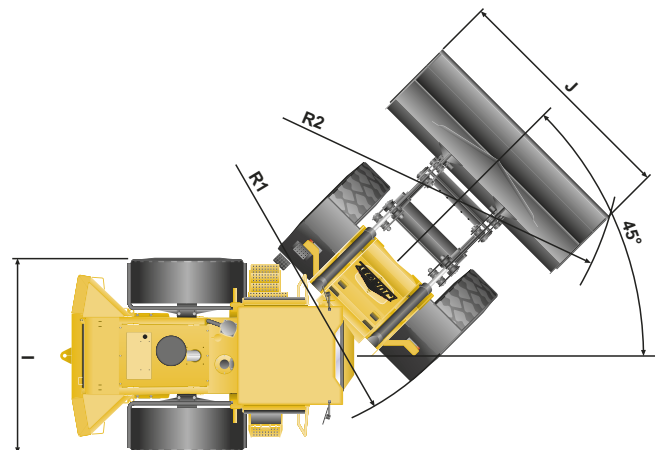
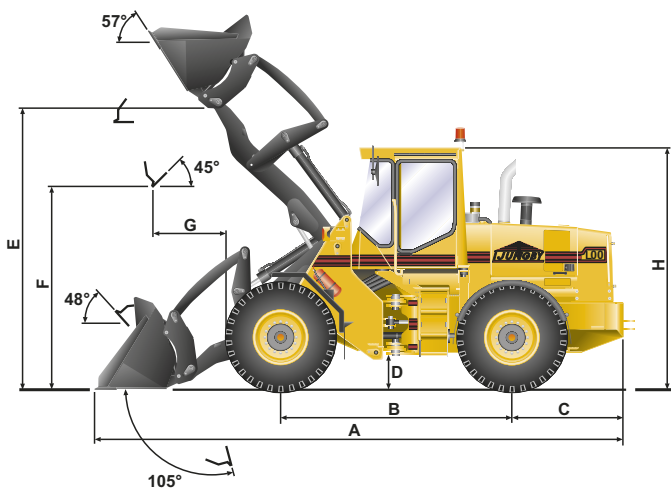
ELECTRICAL SYSTEM

Battery	2 x 12 V, 120 A
Alternator	100 A

CAPACITY INFORMATION

Cooling system [l]	52
Engine [l]	30
Hydraulic system [l]	390
Fuel tank [l]	460
Ad Blue tank [l]	69

Dimensions refer to figure below [mm]



Subject to alteration